

EMD920F

1080p Full HD IP67
Mobile IR Mini Dome Camera



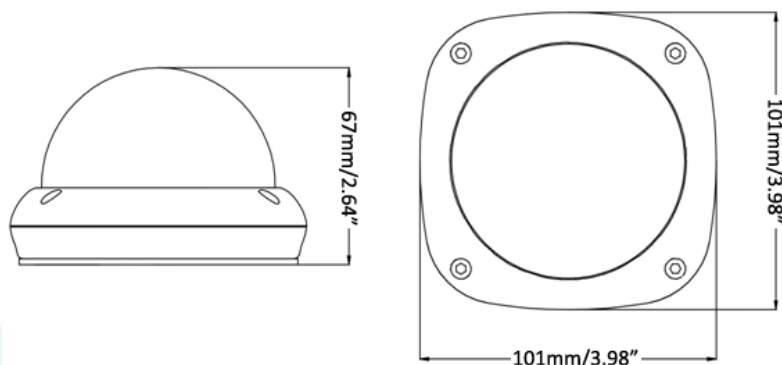
eZ.HD



Features

- 1080p Full HD with high flexibility and performance for astounding image
- 1080p CMOS sensor, delivering amazing high sensitivity
- 2.8mm lens to capture the desired field of view
- Extended IR range up to 10m / 32ft. with 12 LEDs (depends on IR reflectivity in actual scene)
- D-WDR to improve the visibility under high contrast scene
- 3D-Noise Reduction ensures less blurry moving subjects, vivid and high SN ratio images even under low light environments
- Vandal-resistant construction enables the camera to withstand intentional damage
- IP67 rated
- Compact size for discreet surveillance
- eZ Controller function: Control camera OSD settings directly from DVR end

Dimensions



Optional Accessory

M12 Video-Output Cable

The standard model provides a BNC video-output cable. You can also optionally change the BNC video-output cable to M12 video-output cable.

Specifications

Model No.	EMD920F		
Pickup Device	1080p CMOS Sensor	Audio Output	Not supported
Video Format	NTSC / PAL (switchable via DVR)	OSD Languages	English / Simplified Chinese / Traditional Chinese / German / French / Italian / Spanish / Polish / Russian / Portuguese / Netherlands / Turkish
Effective Pixels	1920 (H) x 1080 (V)	DNR	2DNR / 3DNR, Off
Scanning System	Progressive Scan	Defog	Off / Auto
Sensitivity	0 Lux with IR On	D-WDR	On / Off / Auto
Electronic Shutter	Auto / Manual (x30 ~ 1/50,000) / FLK	Sens-up	Off / Auto (x2 ~ x30)
Gamma Correction	0.45	Mirror	Off / Mirror / V-Flip / Rotate
Lens Type	2.8mm	Motion Detection	Off / On (4 selectable zones)
FOV (D x H x V)	131° x 106° x 63°	Privacy Mask	Off / On (4 selectable zones)
BLC	OFF / BLC / HS BLC Selectable	Environmental	IP67
AGC	0 ~ 15 Levels	Power Source	12VDC
White Balance	ATW / AWC-SET / Indoor / Outdoor / Manual / AWB	Power Consumption	1.8W
Sync. Mode	Internal	Operating	-10°C ~ 50°C / 14°F ~ 122°F
Day / Night	Ext, Auto, Color, B/W	Humidity	Less than 80%
UTC Function	Supported	Dimensions (L x W x H)	101mm x 101mm x 67mm / 3.98" x 3.98" x 2.64"
IR LEDs	12 Units	Weight	322g / 0.71lb
IR Distance	Up to 10m / 32ft. (depends on IR reflectivity in actual scene)	Certificates	CE, FCC, RoHS
S/N Ratio	>50dB (AGC off)		

Find Out More At:

EverFocus Taiwan HQ:

TEL: +886 2 2698 2334

www.everfocus.com.tw

marketing@everfocus.com.tw

EverFocus USA - California:

TEL: +1 626 844 8888

www.everfocus.com

sales@everfocus.com

International Branch Offices:

Germany, China, Japan

